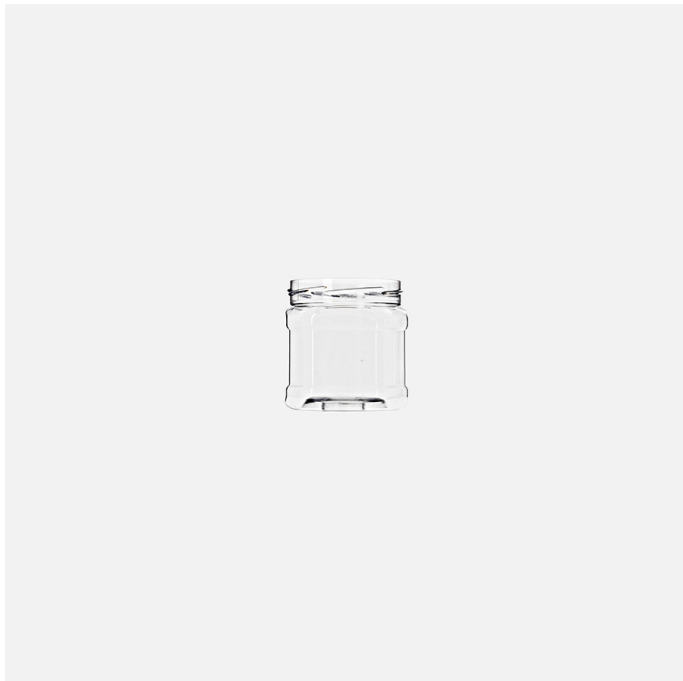


Octagonal Jar 400

Request Sample



General info

Item no. (SKU):	
Family / Range:	Octagonal Jars
Capacity:	400ml
Neck:	82mm TO
Weight:	
Shape:	Square
Material:	PET / RPET
Colour:	All Colours Available
Print Areas:	N/A
Country of Origin:	Lithuania

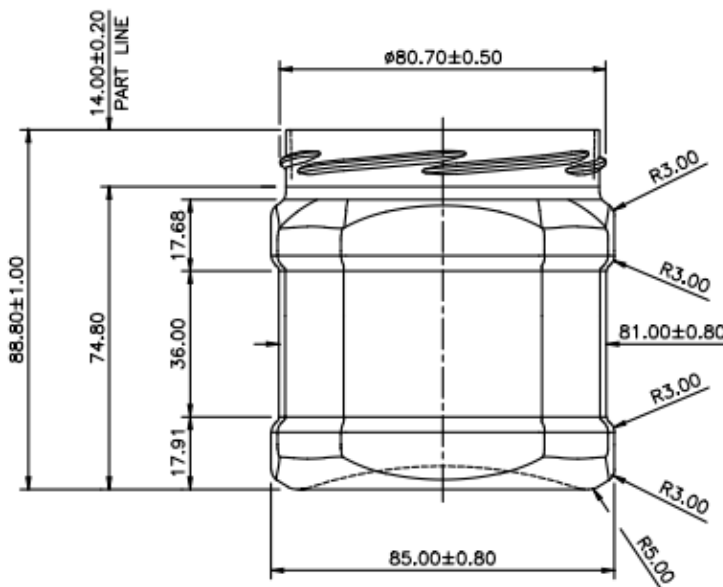
Packaging Info

Packed in Boxes

Box Dimensions (mm):	594 x 394 x 448
Quantity per box (pcs):	
Boxes per pallet (pcs):	
Quantity per pallet (pcs):	
Net weight (kg):	
Gross weight (kg):	
Pallet height (mm):	2400

Packed in PE bags on trays (Half pallet)

Tray dimensions (mm):	1200 x 800 x 50
Quantity per tray (pcs):	143
Quantity per PE bag (pcs):	
PE bags per tray (pcs):	
Trays per pallet (pcs):	14
Quantity per pallet (pcs):	2002
Net weight (kg):	53
Gross weight (kg):	63
Pallet height (mm):	1200



Food contact statement

We hereby confirm that this product complies with the requirements of the European legislation (EU) no 10/2011 and all its amendments for plastics used in contact with food.

Storage

Please be aware that these products are handled and stored correctly in order to ensure the safety and quality of our products. When storing this product, please avoid excessive force and storage above 40 degrees Celsius (86 degrees Fahrenheit).